

# HALCON

## AL BAYRAQ - HYBRID ROCKET ENGINE

# POWERING THE NEXT FRONTIER



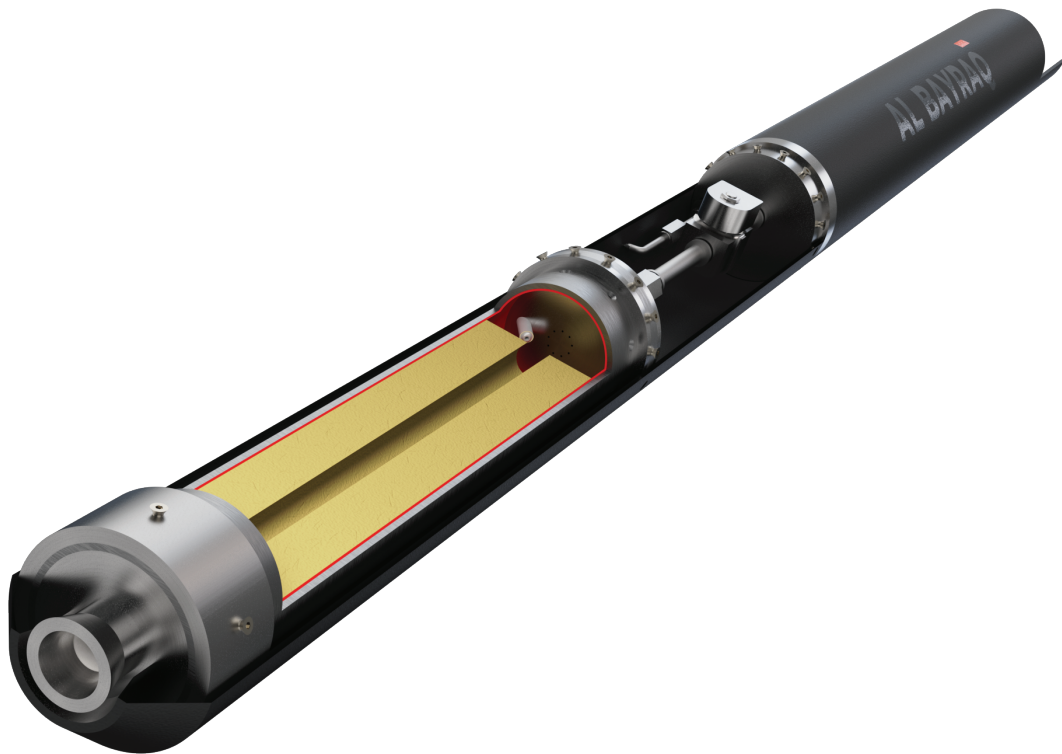
An ongoing development of a hybrid rocket engine that combines the best features of the solid and liquid rocket systems. It is designed to produce a propulsion system that is simpler, safer, controllable and cost effective with the use of 3D printed ABS as a fuel. The engine has the potential to be used for future missions required for guided missiles and sounding rockets.

# S P E C I F I C A T I O N S



## SPECIFICATIONS

<b>Diameter</b>	122 mm
<b>Length</b>	2 m
<b>Average thrust</b>	850 N
<b>Burning time</b>	20 s
<b>Fuel</b>	Acrylonitrile Butadiene Styrene (ABS)
<b>Oxidizer</b>	Nitrous Oxide (N <sub>2</sub> O)



# HALCON

## HUNTER 2-S FUZE

H I G H - L E V E L  
I M P A C T .  
S U P E R I O R  
D E T O N A T I O N .



An electro-mechanical fuze with Point Detonation and proximity mode

# S P E C I F I C A T I O N S

## FUZE TYPE

This is an electromechanical fuze, designed specifically for, and used on, the HUNTER 2-S weapon.

## SPECIFICATIONS

<b>Operating temperature</b>	-40 °C to +71 °C
------------------------------	------------------

<b>Storage temperature (Long term)</b>	-10 °C to +40 °C
--	------------------

<b>Shelf life:</b>	10 years
--------------------	----------

## SIZE

<b>Diameter</b>	55 mm
-----------------	-------

<b>Length</b>	58 mm
---------------	-------



# HALCON

## RASH 2H FUZE

SINGULAR  
MISSION.  
EFFECTIVE  
EXECUTION.



An electro-mechanical fuze with Point Detonation mode  
designed for use on gravity release weapon

# S P E C I F I C A T I O N S

## FUZE TYPE

This is an electromechanical fuze, designed specifically for, and used on, the RASH 2H weapon.

## SPECIFICATIONS

<b>Operating temperature</b>	-40 °C to +71 °C
------------------------------	------------------

<b>Storage temperature (Long term)</b>	-10 °C to +40 °C
--	------------------

<b>Shelf life:</b>	10 years
--------------------	----------

## SIZE

<b>Diameter</b>	129 mm
-----------------	--------

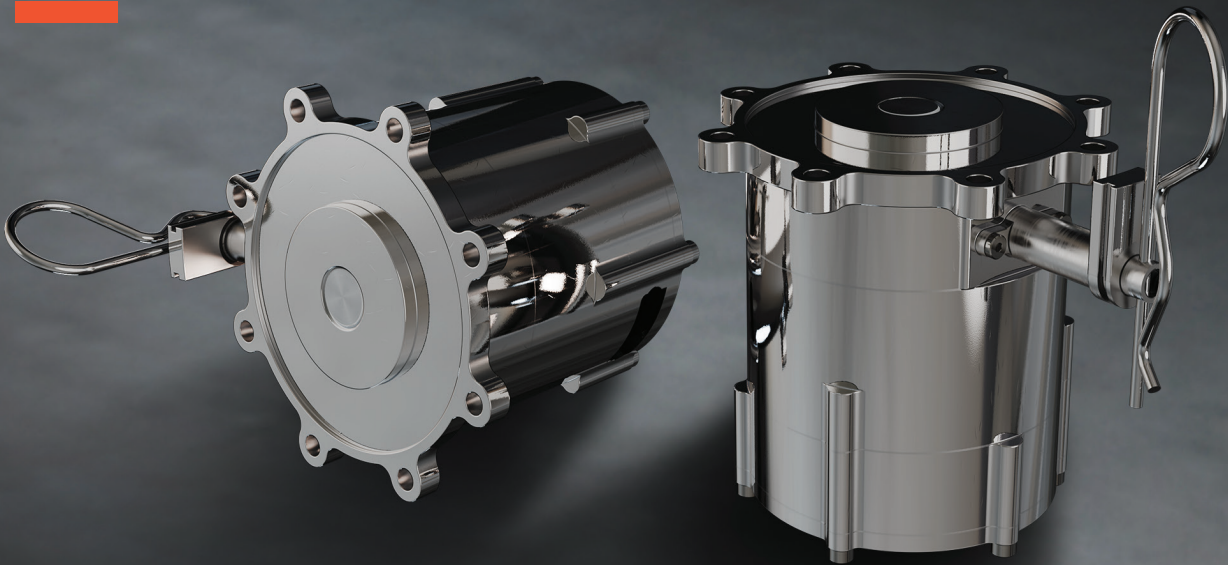
<b>Length</b>	120 mm
---------------	--------



# HALCON

TV SEEKER FUZE

CUSTOM  
DESIGN.  
SUPERIOR  
DETONATION.



An electro-mechanical fuze that can be used in two modes: Proximity Height and Point Detonation.

# S P E C I F I C A T I O N S

## FUZE TYPE

This is an electromechanical fuze, designed specifically for, and used on, the TV SEEKER weapon.

## SPECIFICATIONS

<b>Operating temperature</b>	-40 °C to +71 °C
------------------------------	------------------

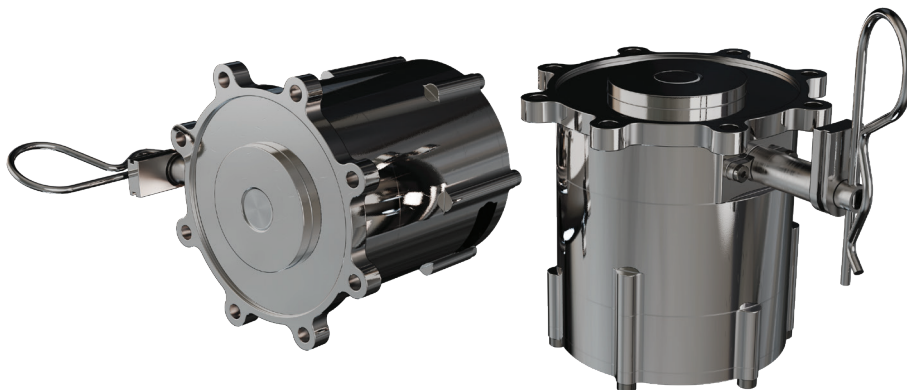
<b>Storage temperature (Long term)</b>	-10 °C to +40 °C
--	------------------

<b>Shelf life:</b>	10 years
--------------------	----------

## SIZE

<b>Diameter</b>	58 mm
-----------------	-------

<b>Length</b>	63 mm
---------------	-------





# HALCON

DESERT STING-25 WARHEAD

LETHAL IMPACT.  
DESTRUCTIVE  
LETHALITY.



DESERT STING-25 warhead is designed to be effective against personnel and light armored vehicles.

# S P E C I F I C A T I O N S

---

## DIMENSIONS

Calibre 175 mm

---

Length 349 mm

## MASS

Warhead mass 25 kg

## FRAGMENTS

Fragment shape Cubic

---

Number of fragments 3,500

---

Fragment diameter 6 mm

---

Fragment material Tungsten



# HALCON

## GATTAL

# DESTRUCTIVE LETHALITY. CONTROLLED DAMAGE.



GATTAL Warhead developed at HALCON to incapacitate troops and damage soft targets in an open area. This Warhead is designed to produce uniform sized fragments of a predetermined shape and mass. GATTAL is useful in anti-personnel and anti-materiel systems where impact patterns having a fairly uniform distribution and predictable area coverage are needed. GATTAL can be mounted on different weapon platforms.

# S P E C I F I C A T I O N S

## DIMENSIONS

Calibre	70 mm
Length	154 mm

## MASS

Warhead mass	1.5 kg
Explosive mass	310 g

## FRAGMENTS

Grooves thickness	0.5 mm
Grooves radial depth	3 mm
Case material	Stainless steel/EN24T



# HALCON

## HUNTER 2-S WARHEAD

# LETHAL BLAST TACTICAL IMPACT.



A multipurpose warhead shaped charge with blast fragmentation effect developed at Halcon to defeat targets such as Soft targets, Light vehicles, and Armored vehicles.

# S P E C I F I C A T I O N S

## DIMENSIONS

Calibre 76 mm

Length 194 mm

## MASS

Warhead mass 2 kg

## FRAGMENTS

Fragment shape Spherical

Number of fragments 780

Fragment diameter 5 mm

Fragment material Carbon steel



# HALCON

## UAV WARHEAD

TACTICAL  
IMPACT.  
ATTACK  
ACCURACY.



UAV Warhead developed at HALCON to provide forward lethal blast effective for destroying soft targets in an open area. It can be mounted in different platforms mostly mobilized with UAVs.

# S P E C I F I C A T I O N S

## DIMENSIONS

Calibre 70 mm

Length 154 mm

## MASS

Warhead mass 1.5 kg

Explosive mass 0.4 kg

## FRAGMENTS

Fragment shape Spherical

Number of fragments 930

Fragment diameter 5 mm

Fragment material Carbon steel





# HALCON

## MODAMER WARHEAD

LETHAL BLAST.  
DESTRUCTIVE  
LETHALITY. —



High blast, fragmentation warhead designed to be effective against soft skin targets.

# S P E C I F I C A T I O N S

## DIMENSIONS

Calibre	202 mm
Length	377.5 mm

## MASS

Warhead mass	34.5 kg
--------------	---------

## FRAGMENTS

Fragment shape	Spherical
Number of fragments	69,000
Fragment diameter	3 mm
Fragment material	Tungsten



# HALCON

## SHADOW 25 WARHEAD

# P R E C I S I O N S T R I K E .



The SHADOW 25 loitering unmanned aerial vehicle (UAV) system provides defence forces with a jet powered, rapid-strike kamikaze munition capable of delivering a precision strike against fixed targets.

The SHADOW 25 system has a cruising speed of 400 km/hr, creating new opportunities to swiftly neutralize stationary enemy targets with a 25 Kg warhead, packed with cubic tungsten fragmentation.

# S P E C I F I C A T I O N S

## DIMENSIONS

Calibre 175 mm

Length 335 mm

## MASS

Warhead mass 25 kg

Explosive mass 8 kg

## FRAGMENTS

Fragment shape Cubic

Number of fragments 13,000

Fragment diameter 6 mm cubes

Fragment material Tungsten



# HALCON

TV SEEKER WARHEAD

BLAST  
DAMAGE.  
FATAL  
LATHALITY.



A TV SEEKER warhead is a blast fragmentation effect developed at HALCON to defeat targets such as personnel and light vehicles.

# S P E C I F I C A T I O N S

## DIMENSIONS

**Calibre** 100 mm

**Length** 200 mm

## MASS

**Warhead mass** 3.2 kg

## FRAGMENTS

**Fragment shape** Spherical

**Number of fragments** 1,688

**Fragment diameter** 5 mm

**Fragment material** Carbon steel

